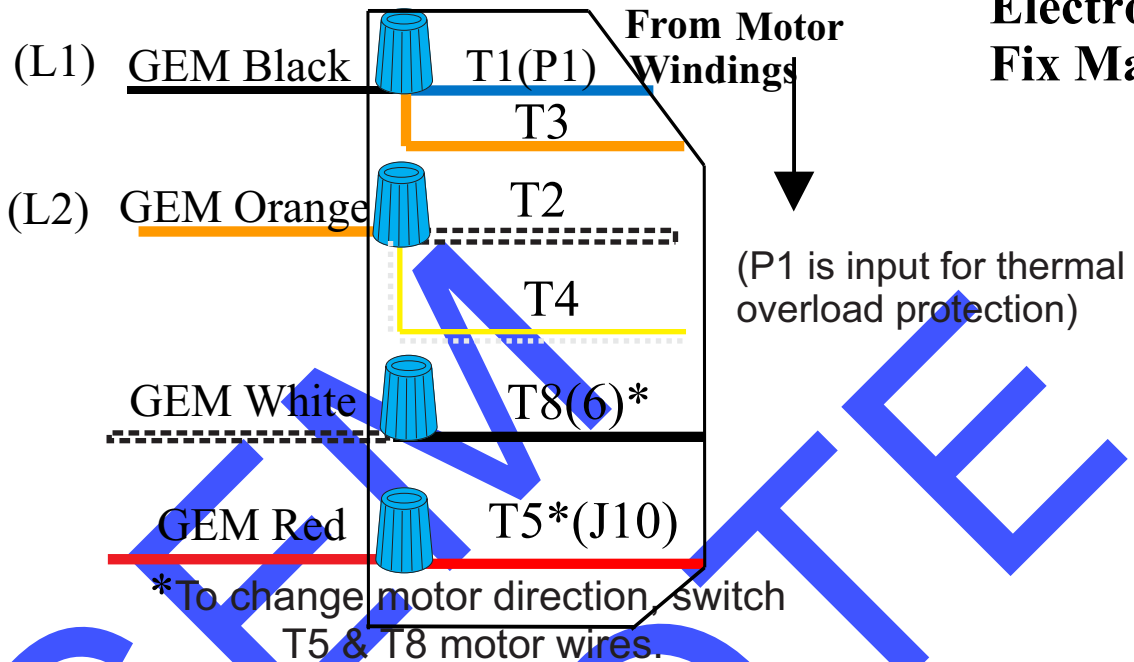


**Standard "T#" or # Wires
Wired at 120 VAC.
wire inside the motor!!!!**

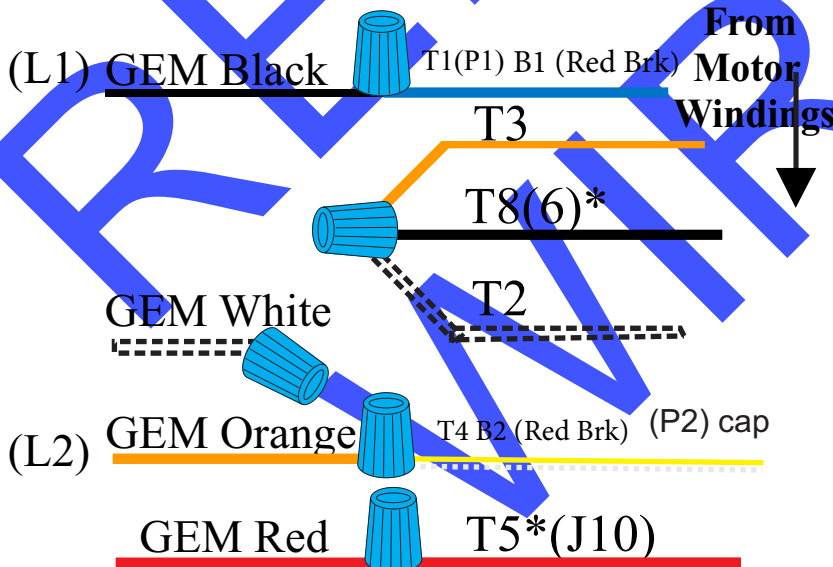
03/21/15
Leeson
Electrogear
Fix Marine



To change from 120 to 240VAC:

1. Cap GEM White wire (not used).
2. Attach 3 motor wires together T3, T5* and T2.
3. FYI: GEM Blk to T1(P1), GEM Orange to T4, GEM Red to T8(6)*.

**Standard "T#" or # Wires
Wires Wired at 240 VAC.**



*To change motor direction, switch T5 & T8 motor wires inside the motor!!!!.